

# MULTIBEACON

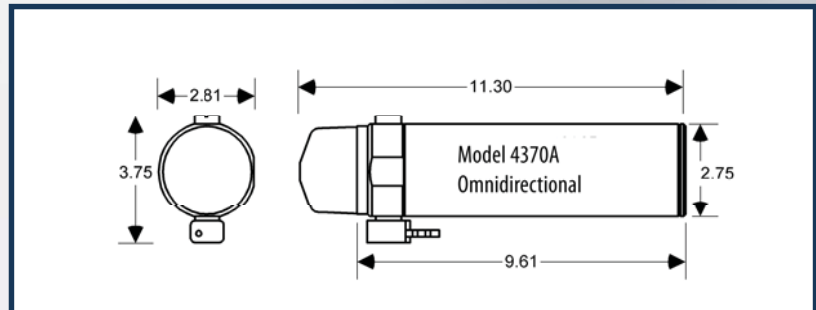
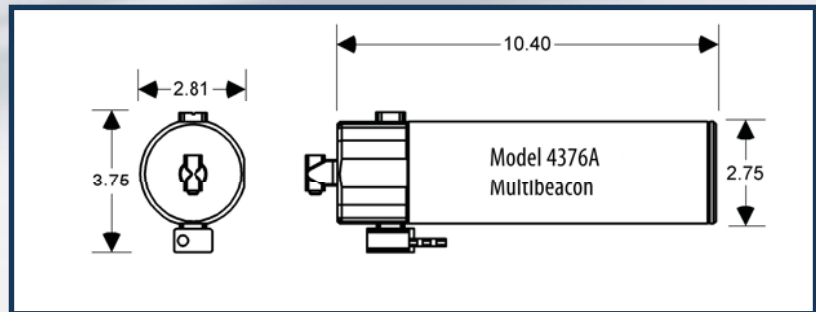
MODEL 4370A / 4376A TRANSPONDER / RESPONDER

## APPLICATIONS

- ROV Tracking and Navigation
- Sonar Towfish Navigation
- AUV Tracking
- Subsea Structure Relocation
- Subsea Salvage Operations
- Diver Navigation
- Mooring Marking and Relocation
- SubSea Positioning
- Depth, Telemetry (Optional)  
(Model 4377A, 4378A)

## OPTIONS

- Remote Transducer options exist in a variety of configurations to suit your unique installation
- 3000 meter depth rating (directional models)
- Long life battery pack
- Low and high reply frequency models



Introducing the ORE Model 4370 Series Multibeacons for use with both our BATS Broadband Acoustic Tracking Systems and our Legacy Trackpoint Systems. This new series of beacons is designed to transmit an MFSK (Multiple Frequency Shift Key) or 'chirp' type acoustic signal for ORE's latest generation USBL Tracking System. The beacon is also capable of transmitting a CW type acoustic signal that is compatible with our standard Trackpoint USBL systems.

The standard **MODEL 4370A MULTIBEACON WITH INTEGRAL TRANSDUCER** features an integral omnidirectional transducer and is depth rated to 1000M. An optional directional transducer is available providing deeper/long range performance.

The Model **4376A MULTIBEACON WITH REMOTE 4325A TRANSDUCER** is ideal for installations where size and mounting area are at a premium. The Model 4325A Remote Transducer Head is streamlined to minimize drag while permitting the electronics section to be mounted inside the vehicle. This unit also interfaces with the 4335A-D Remote Directional Transducer.



For more information please visit [ORE.com](http://ORE.com)

sales@ORE.com | USA 1.508.291.0960

# MULTIBEACON

MODEL 4370A / 4376A TRANSPONDER / RESPONDER

## KEY SPECIFICATIONS

\*\*@ 10 ms pulse followed by 3 sec interrogation rate \*Does not include Remote Transducer

	MODEL 4370A	MODEL 4370A-D	MODEL 4376A	MODEL 4376A-D
Transmitter Output Power	200 W	250 W	200 W	250 W
Navigation Reply Frequencies	MF 17 - 30 kHz	LF 12 - 16 kHz MF 17 - 30 kHz	MF 17 - 30 kHz	LF 12 - 16 kHz MF 17 - 30 kHz
Source Level and Beam Pattern	190 dB re 1μPa @1M, omnidirectional	196 dB re 1μPa @1M, Directional ±30° beam	Model 4325A Remote Transducer, 190 dB re 1μPa @1M, omnidirectional	Model 4335A-D Remote Transducer, 196 dB re 1μPa @1M, Directional ±30° beam
Dimensions	2.75 in. Diameter X 11.30 in. Length	2.75 in. Diameter X 13.20 in. Length	2.75 in. Diameter X 10.40 in. Length	2.75 in. Diameter X 10.40 in. Length
Weight in air	4.0 lbs.	5.5 lbs.	4.0 lbs. *	4.2 lbs. *
Weight in water	1.8 lbs.	2.8 lbs.	1.8 lbs. *	1.8 lbs. *
Case Material	6061 Aluminum, Hard coat anodized	6061 Aluminum, Hard coat anodized	6061 Aluminum, Hard coat anodized	6061 Aluminum, Hard coat anodized
Depth Rating	1000 m Standard	1000 m Standard 3000 m Option	1000 m Standard	1000 m Standard 3000 m Option
Interrogation Frequency	15, 17 or 19 kHz	20.5 or 22.5 kHz	15, 17 or 19 kHz	20.5 or 22.5 kHz
Turnaround Time, Transponder/Responder	15 ms / 2 ms	15 ms / 2 ms	15 ms / 2 ms	15 ms / 2 ms
Inhibit Time	1.9 seconds	1.9 seconds	1.9 seconds	1.9 seconds
Receive Sensitivity	100 microvolts RMS	100 microvolts RMS	100 microvolts RMS	100 microvolts RMS
Battery Type	NiCad, rechargeable, 1.0 Amp Hr Rating	NiCad, rechargeable, 1.0 Amp Hr Rating	NiCad, rechargeable, 1.0 Amp Hr Rating	NiCad, rechargeable, 1.0 Amp Hr Rating
Battery Charger	Model 4324C - V1636	Model 4324C - V1636	Model 4324C - V1636	Model 4324C - V1636
Listening Life/ Followed by # of Interrogations	5 days / 20,000 **	5 days / 16,000 **	5 days / 20,000 **	5 days / 16,000 **

For more information please visit [ORE.com](http://ORE.com)

sales@ORE.com | USA 1.508.291.0960