

PORT POP-UP

FLOTATION MOORING RECOVERY PACKAGE FOR THE EDGE TECH PORT PUSH OFF RELEASE TRANSPONDER

FEATURES

- Reliable Pop-up design
- Configurable with various line lengths
- Works with PORT acoustic releases
- Great positive buoyancy for recovery in strong currents
- Simple and easy maintenance
- Small lightweight package
- Release attached to top flotation portion & comes up with float upon release
- Full transponder capability
- Made with corrosion resistant materials
- 12000 unique command codes
- Auto disable (power saving)



||| The PORT Push Off Release Transponder Pop-up recovery package is ideal for deployments in coastal environments. The mechanical drive off system is the best choice for deployments where acoustic release mechanisms can experience growth or sediment build up.

The Pop-up flotation package can be added to the PORT MFE or PORT LF SD acoustic releases. The canister can be outfitted with customer supplied rope (line) of various lengths. The PORT Pop-up is a reliable and compact design that allows user the ability to create small, efficient and compact mooring solutions in any environment. The single-solution design combines the acoustic release, flotation and line. When acoustically commanded by a PACS or 8011 deck unit the acoustic release and the top portion of the pop-up package will float to the surface. The release and surface flotation remains connected to the bottom section and associated mooring equipment for easy retrieval leaving nothing behind on the seafloor.

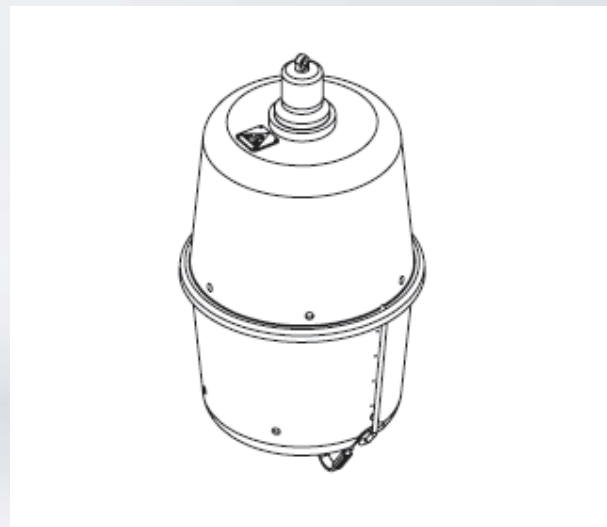
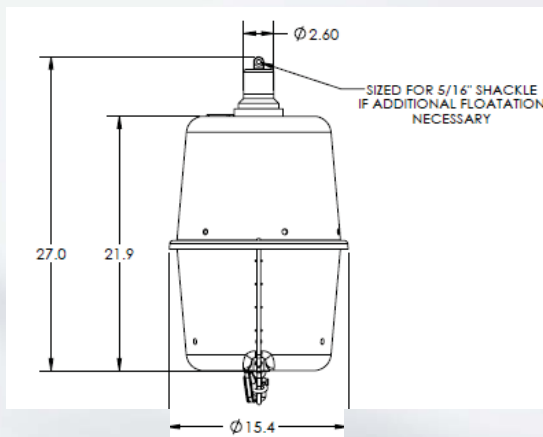
For more information please visit www.EdgeTech.com

info@EdgeTech.com | USA 1.508.291.0057

PORT POP-UP

FLOTATION MOORING RECOVERY PACKAGE FOR THE EDGE^{TECH} PORT PUSH OFF RELEASE TRANSPONDER

MECHANICAL	
Release mechanism	Motor driven rotary type with thrust bearings and Ultem link
Release load rating	250 kg (550 lbs)
Lifting load rating	Depending on line selected
Depth rating	200 m (based on line length)
Line lengths / diameter	45 m (150 ft) 5/8" 100 m (325 ft) 3/8" 200 m (650 ft) 5/16" 400 m (1300 ft) 1/4" Note: suggested line length is 2 times the operating depth
Weight in air	43 lbs
Positive Buoyancy in Water (with PORT Release)	15 lbs Note: Pop-up package comes with an extra flotation sphere which adds 7 pounds of additional positive buoyancy if desired. Good for high current environments.
ELECTRICAL	
Command frequencies	9.3 to 19.7 kHz (based on acoustic release selected for Pop-Up)
Command codes	BACS commands (EdgeTech formerly ORE Offshore)
Transmit Source Level	192 dB re 1 micro Pascal
Receiver sensitivity	100 dB re-1uPascal-meter



For more information please visit www.EdgeTech.com

info@EdgeTech.com | USA 1.508.291.0057